

# *Eccellenza* momentum™



## Parts Manual

February 21, 2026

**KEURIG**<sup>®</sup>  
FOR BUSINESS

**Disclaimer:**

Although the utmost care was taken putting together this publication, Keurig® accepts no liability for inaccuracies or omissions to this publication. Keurig® is not responsible for misinterpretation of any information contained in this publication. Keurig® is not responsible for injuries or damages resulting from incorrect or improper use of this equipment, unauthorized modifications to the equipment, the use of non-original replacement components in the equipment, or improper installation of the equipment.

**Copyright:**

© 2021 Keurig®

The information and contents of this publication are property of Keurig®. No part of this publication can be reproduced, reused, modified or published in any format without the written permission of Keurig®.

Keurig® reserves the right to change the specifications to the equipment, and to modify the information contained in this publication at any time and without prior notification to the purchaser of this equipment. All rights are reserved.

**Contact Information:****U.S.A.****Phone**

Technical Support: 1.888.287.2739

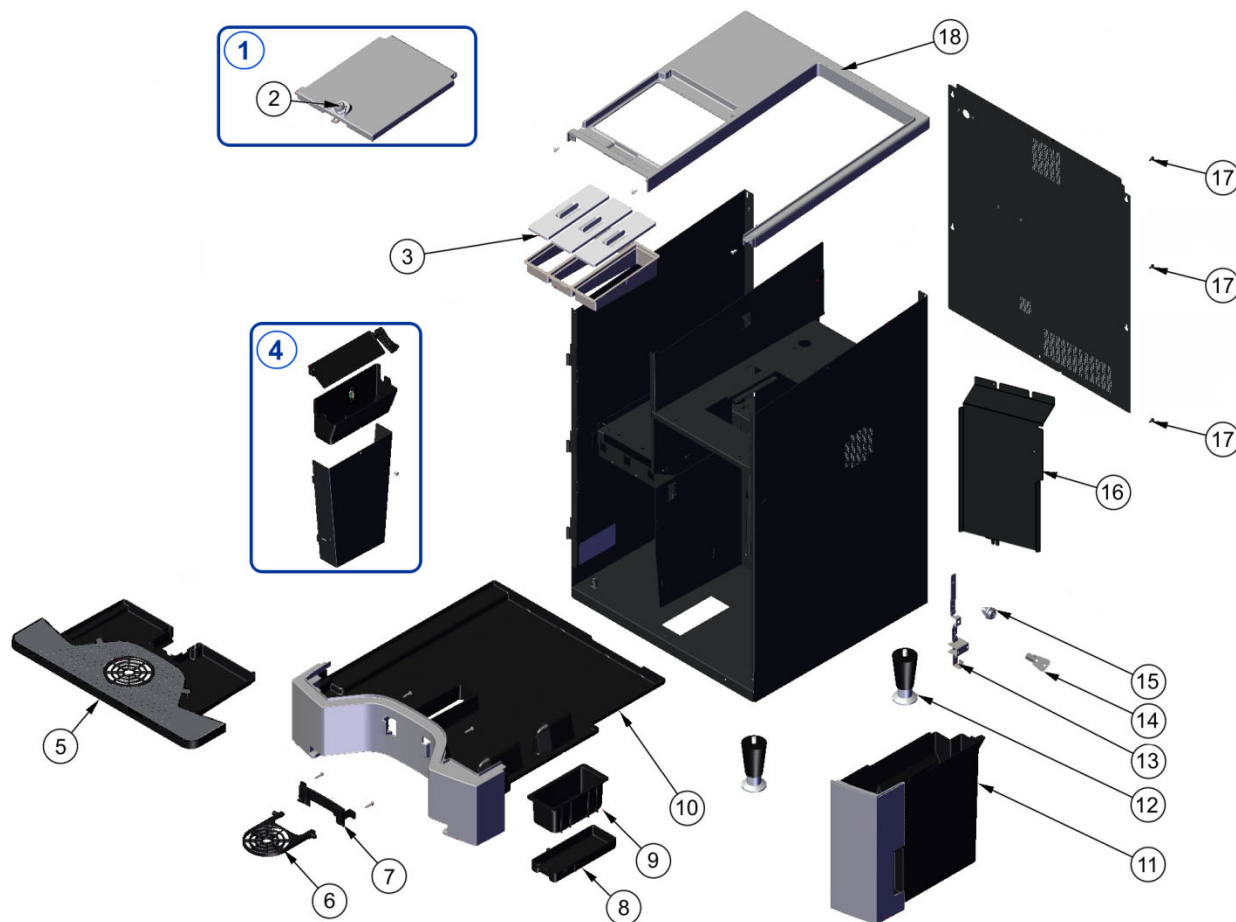
**Email:**

Customer Service: [orders@kdrp.com](mailto:orders@kdrp.com)

Technical Support: [FIELD\\_SERVICE\\_TEAM-Keurig@kdrp.com](mailto:FIELD_SERVICE_TEAM-Keurig@kdrp.com)

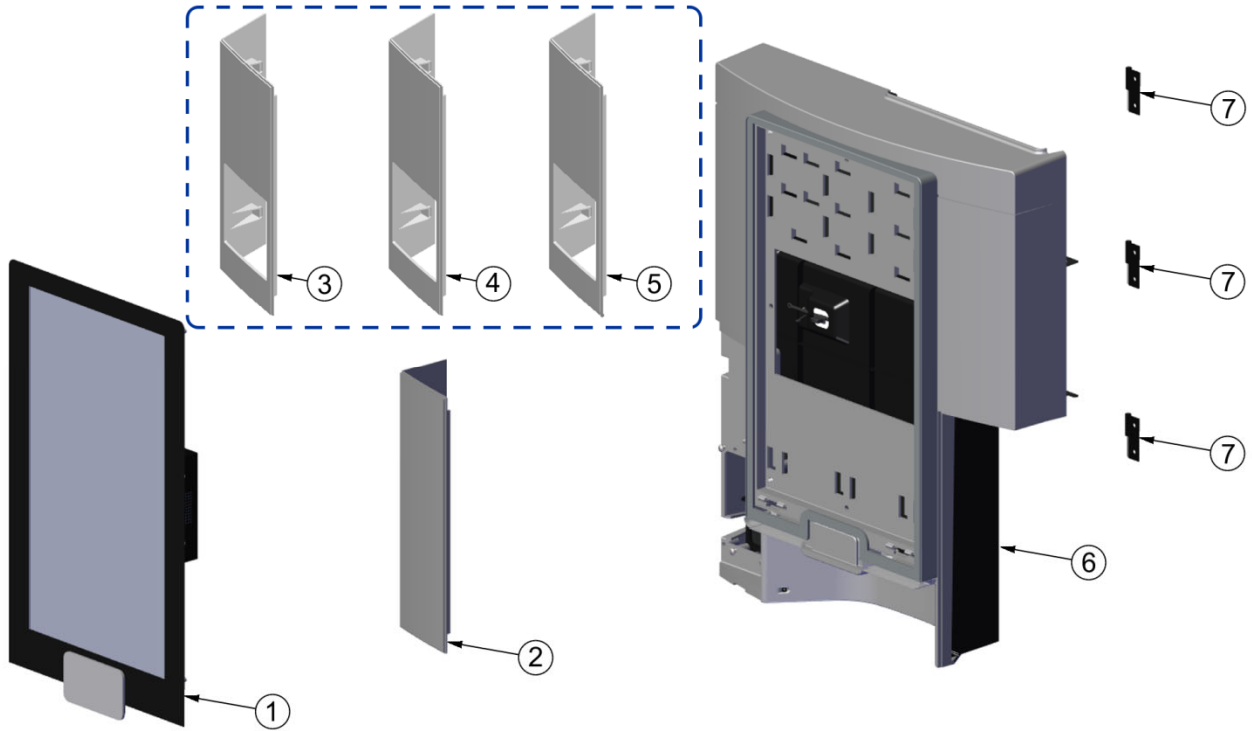
# Table of Contents

Enclosure.....	4
Door Assembly.....	5
Brewer System.....	6
Brewer Engine Assembly.....	7
Coffee System.....	9
Powder System.....	10
Water System.....	11
Electrical System – 120 Volt .....	13
Wiring Bundles.....	14
Decals.....	16
Waste Chute Kit.....	17
Touchless Kit.....	17
Recommended Spare Parts List.....	18
Warranty Information (English).....	19



Item	OLD VKI P/N	NEW KDP P/N	KDP ERP ID	Description	QTY
1.	202868-001S	5000364261	76-39282	Powder Lid Assembly	1
2.	202808-001	5000364294	76-39365	2-Position Lock	1
3.	202451-001	5000364321	76-39337	Powder Hopper Cap	3
4.	203031-001S	5000364257	76-39278	Grounds Chute Assembly	1
5.	203032-001S	5000364247	76-39270	Cup Stand Assembly	1
6.	202683-001	5000348782	76-38440	Cup Riser	1
7.	202739-001	5000348789	76-38442	Cup Riser Pivot	1
8.	202664-001	5000364312	76-39346	Residue Container	1
9.	202665-001	5000364311	76-39347	Residue Container Chute	1
10.	202946-001S	5000364276	76-39373	Floor Tray & Alcove Assembly	1
11.	203030-001S	5000364269	76-39287	Waste Container Assembly	
12.	202740-002P	5000364301	76-39358	Levelers (Pack of 4)	4
13.	202784-001	5000364225	76-39249	Lock Assembly	1
14.	M019549	5000364266	76-39380	Key – 8625 (1)	2
15.	202790-001	5000348797	76-38446	3-Position Lock	1
16.	202883-004	5000364289	76-39370	Valve Protector	1
17.	200928-001P	5000364280	76-39294	Screw, 8-18 x 5/16, Pan, Quad (Pack of 10)	15
18.	202659-001	5000364313	76-39345	Main Cover	1

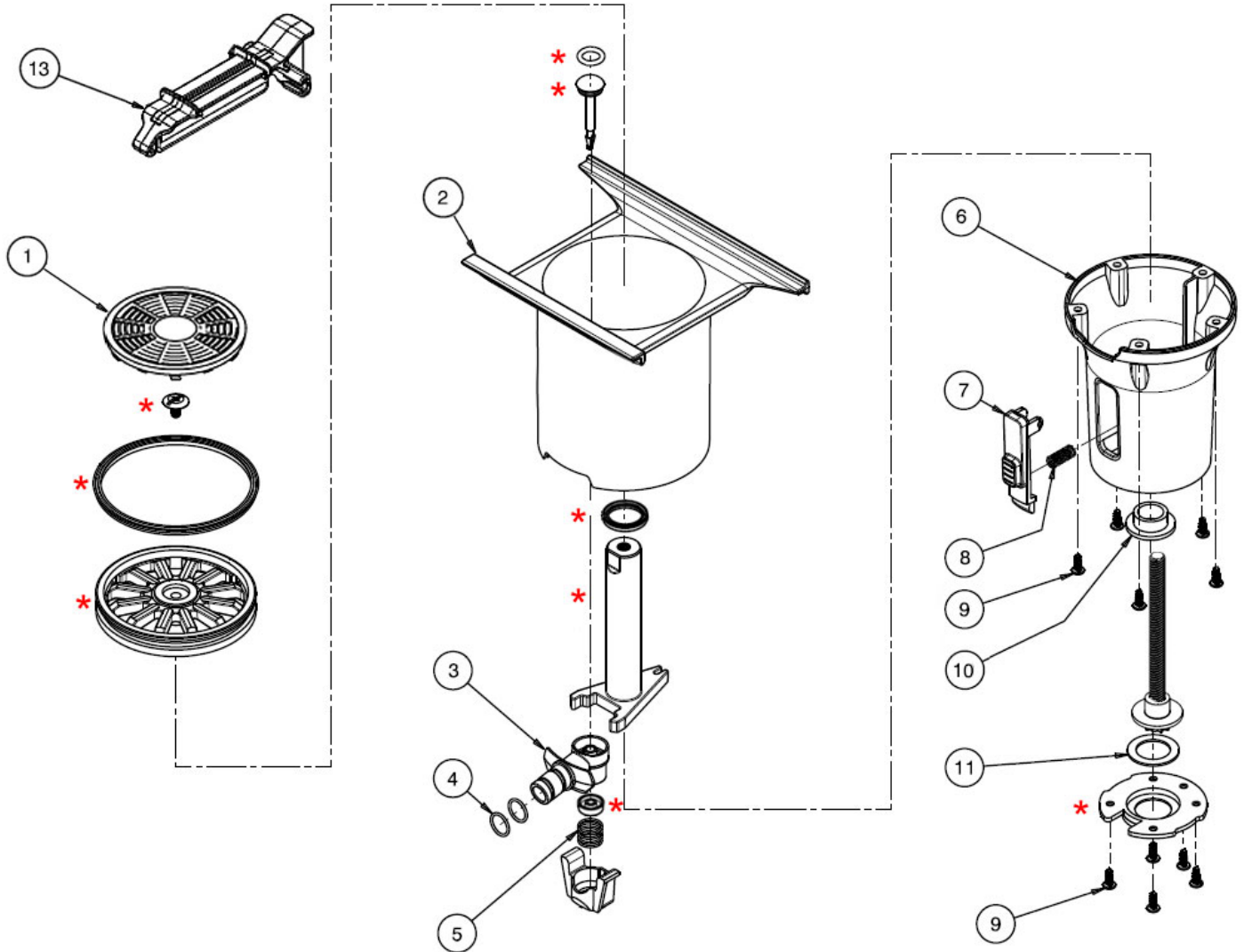
**Door Assembly** PLEASE USE CURRENT KDP P/N ONLY WHEN ORDERING



Item	OLD VKI P/N	NEW KDP P/N	KDP ERP ID	Description	QTY
1.	202752-001S	5000364299	76-39360	HMI (Touch Screen)	1
2.	202677-001	5000364310	76-39348	Standard Cover #1 – No Cashless	1
3.	202677-002	5000364309	76-39349	Cashless Cover #2 – for Nayax	Option
4.	202677-003	5000364308	76-39350	Cashless Cover #3 – for Coinco	Option
5.	202677-004	5000364307	76-39351	Cashless Cover #4 – for USA Technologies	Option
6.	202869-001S	5000364291	76-39368	Door Sub-Assembly	1
7.	202743-004P	5000364300	76-39359	Right Male Hinge (Pack of 2)	3



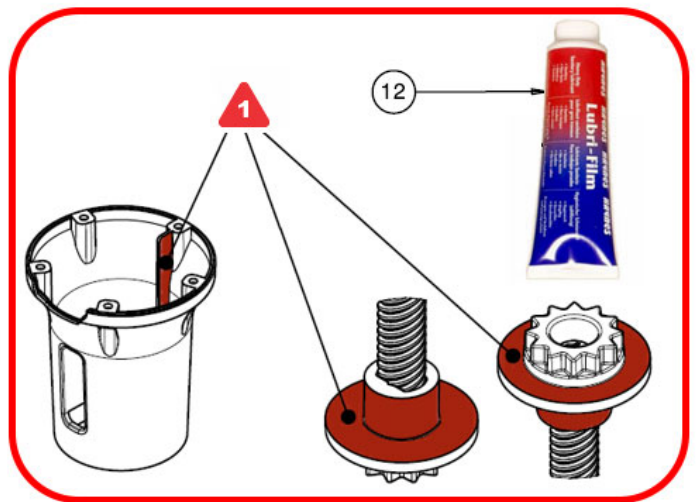
Item	OLD VKI P/N	NEW KDP P/N	KDP ERP ID	Description	QTY
1.	202156-001S	5000364217	76-39241	Carrier & Wiper Assembly	1
2.	202169-003S	5000348756	76-38404	Brewer Engine Assembly	1
3.	203033-001S	5000364241	76-39265	Spout Assembly	1
4.	202679-001	5000364305	76-39353	Spout support	1
5.	202800-002	5000364295	76-39364	Brewer Base & Motor Assembly	1
6.	202175-001P	5000364344	76-39311	Screw, 10-14, Pan (Pack of 20)	7
7.	202159-001S	5000364346	76-39309	Wiper Arm & Motor Assembly	1



**IMPORTANT!**

**1** Apply grease (item #23) on the identified surfaces (in red) using a brush.  
 Appliquer la graisse (item #23) sur les zones en rouge à l'aide d'un pinceau.

\* Included in Brewer Maintenance Kit  
 Inclus dans le Kit d'entretien de l'infuseur

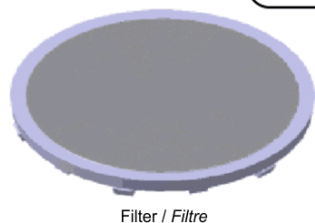


**Brewer Engine Assembly PLEASE USE CURRENT KDP P/N ONLY WHEN ORDERING**

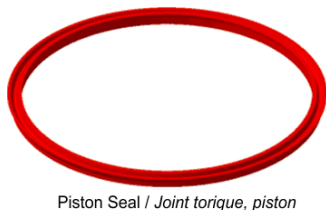
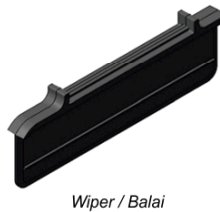
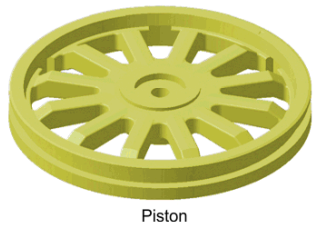
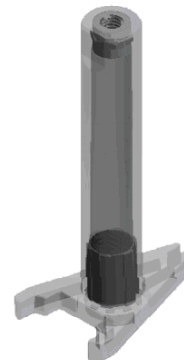
Item	OLD VKI P/N	NEW KDP P/N	KDP ERP ID	Description	QTY
1.	202260-001	5000364250	76-39326	Filter Assembly	1
2.	202150-003	5000364347	76-39308	Cylinder – polycarbonate	1
3.	202145-002	5000364349	76-39306	Valve Housing	1
4.	202201-001P	5000348760	76-38408	O-Ring, 0.614 (Pack of 20)	2
5.	202146-001P	5000364348	76-39307	Valve Spring (Pack of 5)	1
6.	202134-001	5000364353	76-39302	Cylinder Base	1
7.	202136-001P	5000364352	76-39303	Locking Latch (Pack of 2)	1
8.	202166-001P	5000364345	76-39310	Latch Spring (Pack of 5)	1
9.	202175-001P	5000364344	76-39311	Screw, 10-14, Pan (Pack of 20)	10
10.	202141-001P	5000364350	76-39305	Sleeve Bushing (Pack of 5)	1
11.	202140-001P	5000364351	76-39304	Thrust Bearing (Pack of 5)	1
12.	M019420	5000364268	76-39379	Grease	1
13.	202156-001S	5000364217	76-39241	Carrier & Wiper Assembly	1

**Brewer Maintenance Kit PLEASE USE CURRENT KDP P/N ONLY WHEN ORDERING**

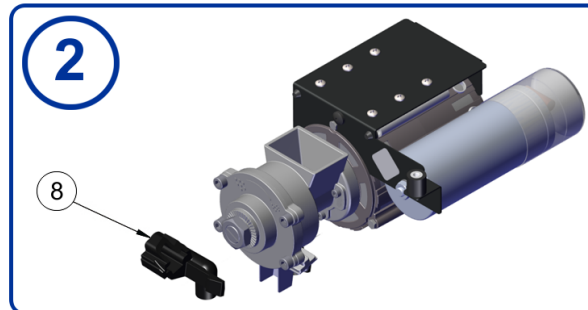
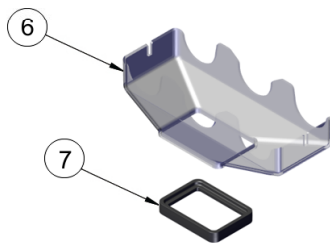
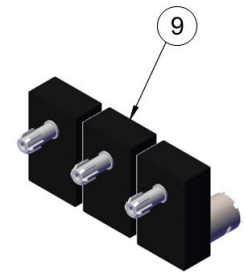
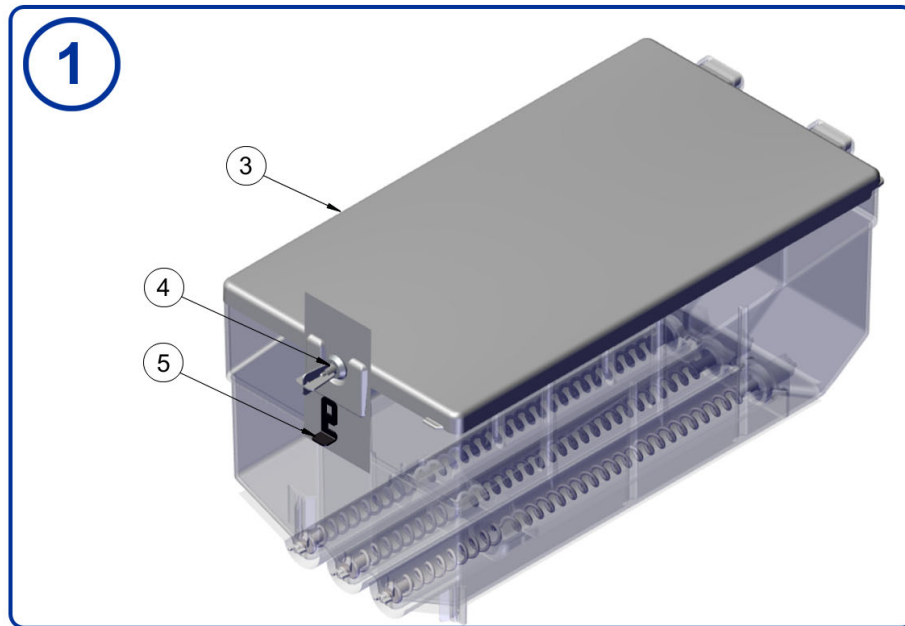
**1-Year Brewer Maintenance Kit / Kit d'entretien pour l'infuseur, 1-an**



Valve Head / Tête de la valve

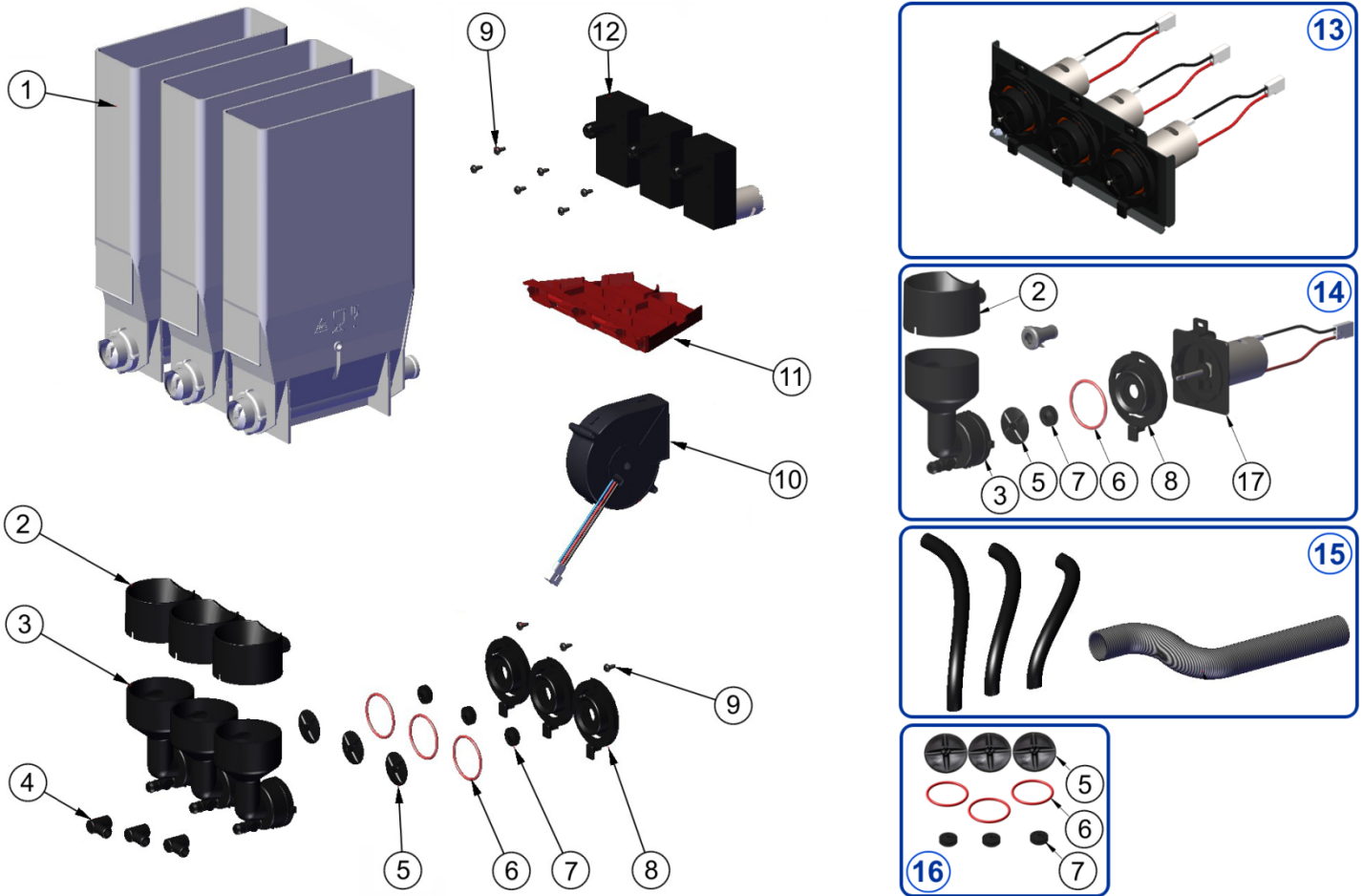


Item	OLD VKI P/N	NEW KDP P/N	KDP ERP ID	Description	QTY
	202341-003	5000348770	76-38429	Brewer Maintenance kit	

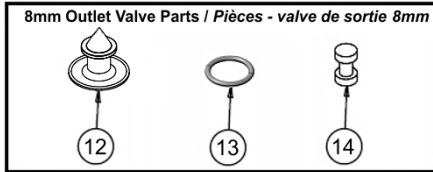
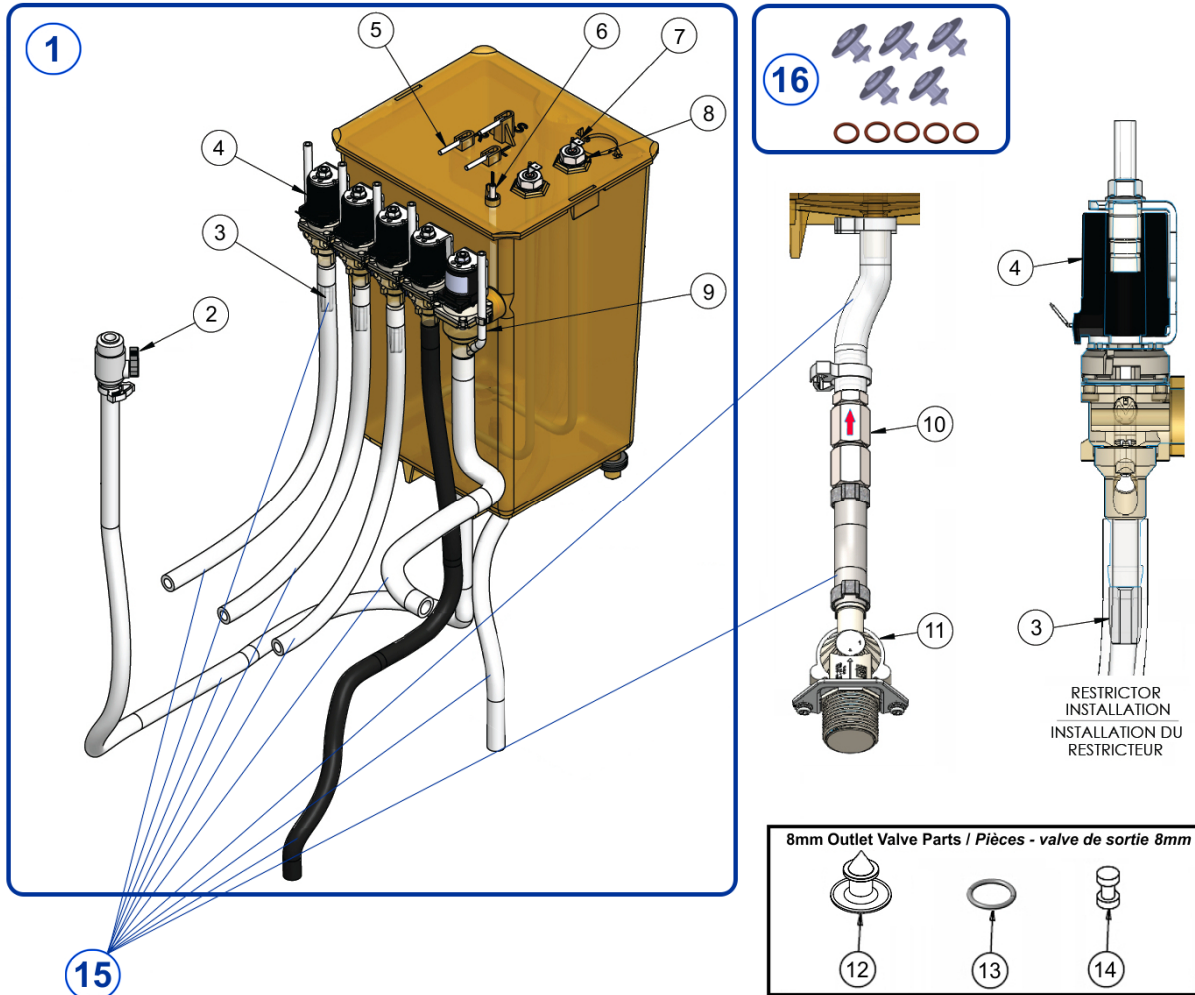


Item	OLD VKI P/N	NEW KDP P/N	KDP ERP ID	Description		QTY
1.	202867-001S	5000364242	76-39266	Coffee Dispenser Assembly	Assemblage, distributeur de café	1
2.	202870-001S	5000364255	76-39276	Grinder Sub-Assembly	Sous-assemblage, moulin	1
3.	202938-001	5000364244	76-39268	Coffee Lid Assembly	Assemblage, couvercle café	1
4.	202808-001	5000364294	76-39365	2-Position Lock	Serrure, 2-positions	1
5.	202753-001	5000364298	76-39361	Lock Cam	Came, serrure	1
6.	202616-001	5000364315	76-39343	Coffee Bean Chute	Chute, grains de café	1
7.	202678-001P	5000364306	76-39352	Seal (Pack of 5)	Joint (Pack de 5)	1
8.	202647-001	5000364314	76-39344	Brewer Water Inlet	Entrée d'eau, infuseur	1
9.	200918-001	5000364279	76-39293	Ingredient Motor	Moteur à ingrédient	3

**Powder System** PLEASE USE CURRENT KDP P/N ONLY WHEN ORDERING

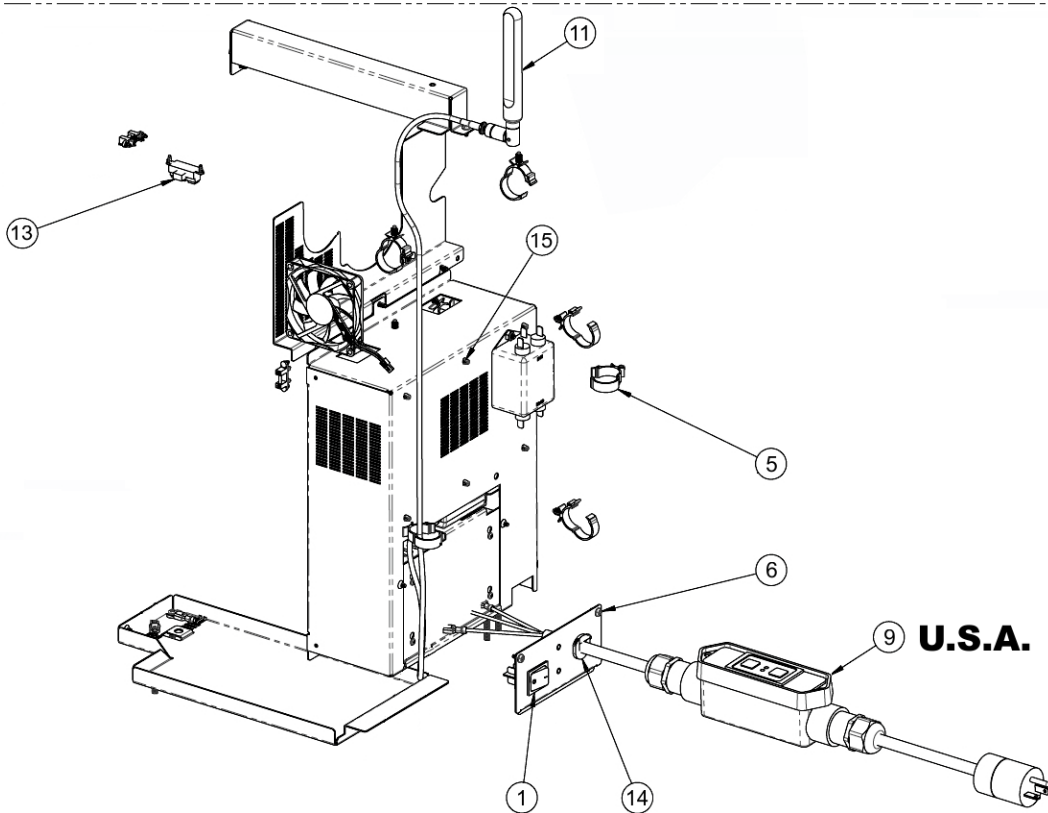
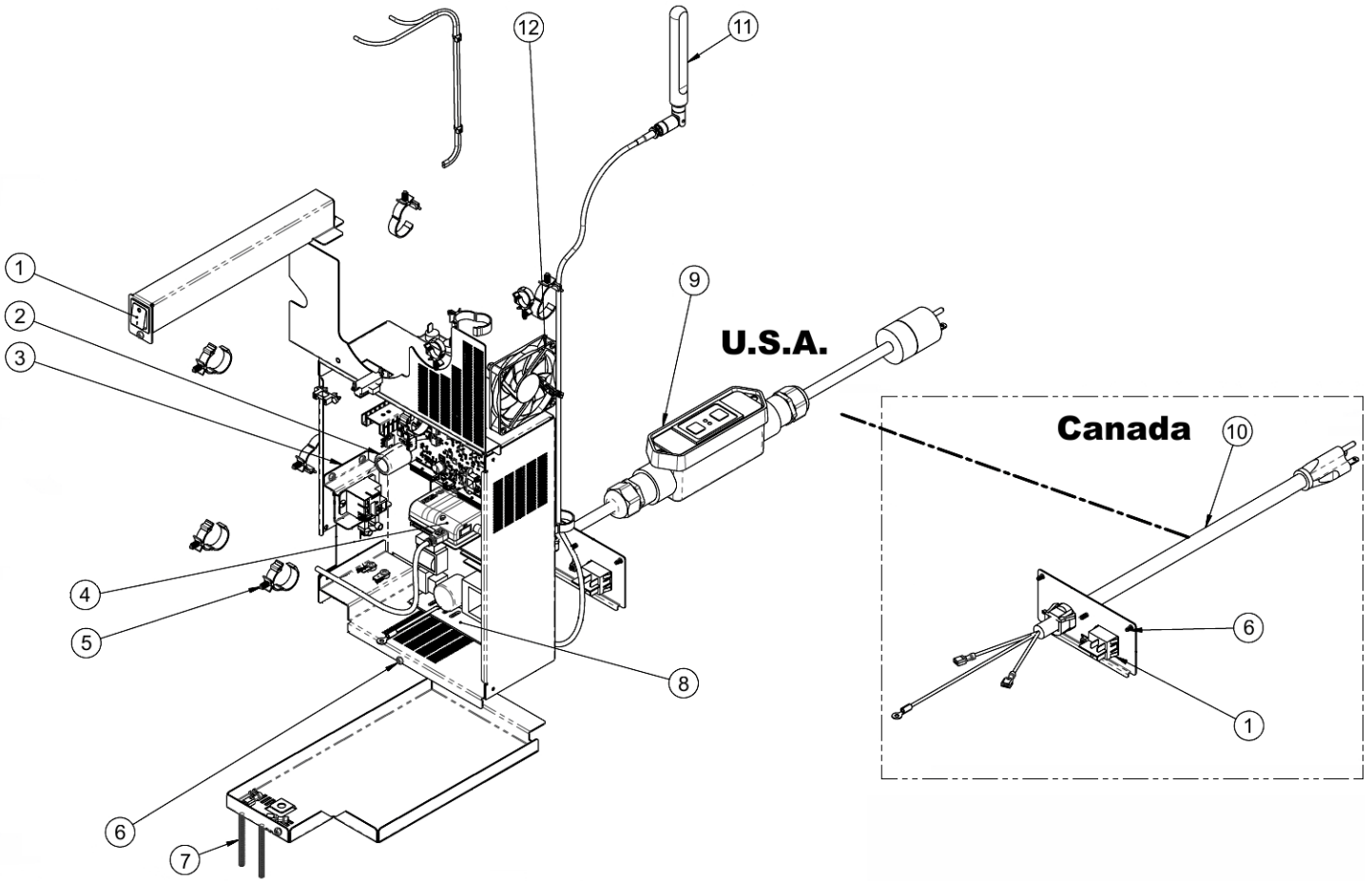


Item	OLD VKI P/N	NEW KDP P/N	KDP ERP ID	Description		QTY
1.	202620-002	5000348774	76-38433	Powder Dispenser Assembly	Assemblage, contenant de poudre	3
2.	202725-001	5000364302	76-39357	Steam Trap	Piège, vapeur	3
3.	202291-001	5000364326	76-39330	Mixing Chamber	Chambre, fouetteur	3
4.	200903-002P	5000364278	76-39292	Spout Extension (Pack of 10)	Extension, bec (Pack de 10)	3
5.	202290-001P	5000348764	76-38423	Impeller (Pack of 10)	Lame, fouetteur (Pack de 10)	3
6.	201754-001P	5000348750	76-38398	O-Ring, Whipper Base (Pack of 20)	Joint d'étanchéité (Pack de 20)	--
7.	202294-001P	5000348765	76-38424	Whipper Gasket (Pack of 20)	Joint, fouetteur (Pack de 20)	--
8.	202293-001	5000364325	76-39331	Lock Ring Assembly	Base, verrouillage	3
9.	200928-001P	5000364280	76-39294	Screw, 8-18 x 5/16, Pan Quad (Pack of 10)	Vis, 8-18 x 5/16, Pan Quad (Pack de 10)	9
10.	202257-002	5000348740	76-38417	Blower	Ventilateur	1
11.	202234-001	5000364332	76-39323	Powder Drawer	Tiroir poudre	1
12.	200918-001	5000364279	76-39293	Ingredient Motor	Moteur à ingrédient	3
13.	202866-001S	5000364226	76-39250	Whippers Sub-Assembly	Sous-assemblage, fouetteurs	--
14.	202222-001S	5000364334	76-39321	Whipper Assembly	Assemblage, fouetteur	--
15.	203036-001S	5000364259	76-39280	Kit, Whipper Hoses	Ensemble, tuyaux fouetteurs	--
16.	203029-001S	5000364275	76-39290	Whipper Maintenance Kit	Kit d'entretien, fouetteurs	--
17.	202296-001	5000364264	76-39332	Whipper Motor	Moteur, fouetteur	3



Item	OLD VKI P/N	NEW KDP P/N	KDP ERP ID	Description		QTY
1.	202865-001S	5000364273	76-39289	Water Tank Assembly	Assemblage, réservoir d'eau	1
2.	202478-002	5000364317	76-39341	Plastic Valve	Valve en plastique	1
3.	202722-001	5000364304	76-39355	Restrictor (Pack of 5)	Restricteur (Pack de 5)	4
4.	202253-002	5000364330	76-39325	Outlet Valve, 8mm	Valve de sortie, 8mm	4
5.	202208-001P	5000348734	76-38411	Level Probe (Pack of 10)	Sonde niveau d'eau (Pack de 10)	3
6.	203004-001P	5000364327	76-39329	Thermistor (Temperature Probe) (Pack of 5)	Sonde de température (Pack de 5)	1
7.	202639-002	5000348777	76-38436	Element, 1700W, 120V	Élément, 1700W, 120V	1
8.	201316-002P	5000364285	76-39297	Hex Nut, 1/2-20 (Pack of 10)	Écrou, hexagonal, 1/2-20 (Pack de 10)	2
9.	202621-001	5000348775	76-38434	Outlet Valve, 14mm	Valve de sortie, 14mm	1
10.	201313-001	5000364282	76-39296	Back Flow Prevention Check Valve	Valve anti-retour	1
11.	202761-002	5000348792	76-38445	Inlet Valve	Valve d'entrée	1
12.	202338-001P	5000348767	76-38426	Diaphragm 8mm - Outlet Valve (Pack of 20)	Diaphragme 8mm - valve de sortie (Pack de 20)	1/valve --
13.	202340-001P	5000348769	76-38428	O-Ring - Outlet Valve (Pack of 20)	Joint torique - valve de sortie (Pack de 20)	1/valve --
14.	202339-001P	5000348768	76-38427	Clip - Outlet Valve (Pack of 20)	Attache - valve de sortie (Pack de 20)	4/valve --
15.	203035-001S	5000364258	76-39279	Water Tank Hoses Kit	Ensemble tuyaux réservoir	--
16.	203028-001S	5000364271	76-39288	Water Tank Annual Maintenance Kit	Kit d'entretien annuel, réservoir	--

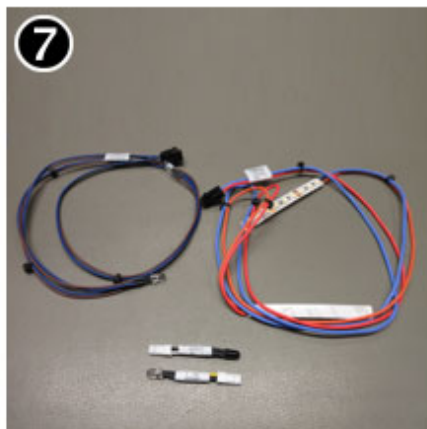
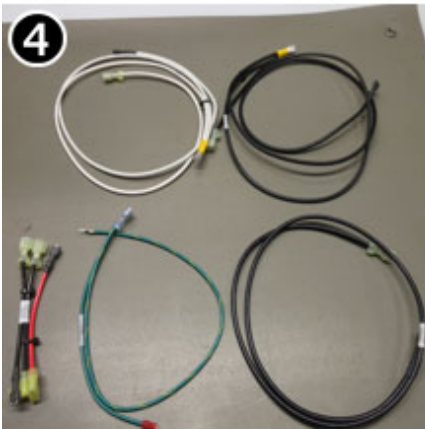
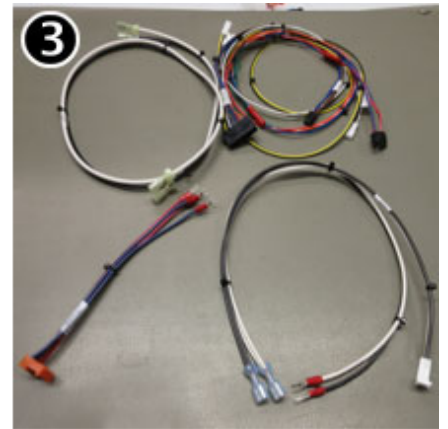
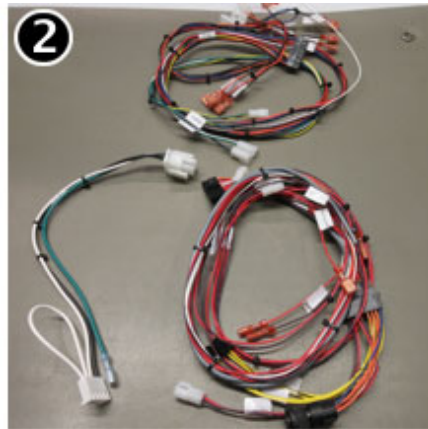
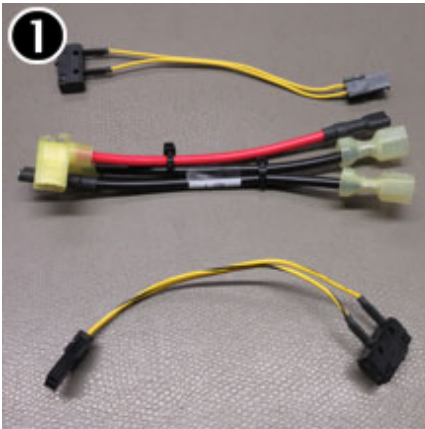
**Electrical System** PLEASE USE CURRENT KDP P/N ONLY WHEN ORDERING



**Electrical System** PLEASE USE CURRENT KDP P/N ONLY WHEN ORDERING

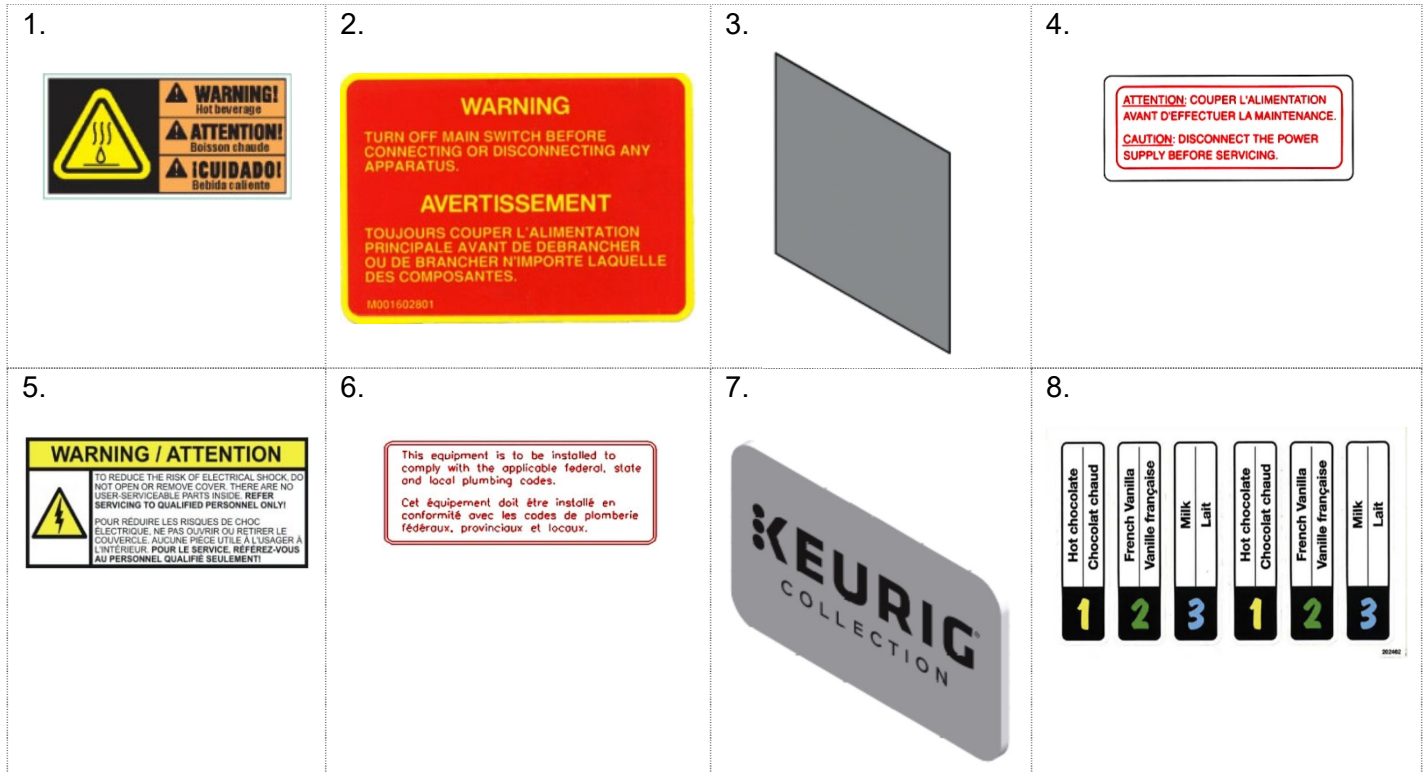
Item	OLD VKI P/N	NEW KDP P/N	KDP ERP ID	Description	QTY	
1.	202827-001	5000348802	76-38452	Main Power Switch	Interrupteur principale	2
2.	202826-001	5000348801	76-38451	Electronic Control Board	Plaque de contrôle	1
3.	202874-002S	5000364290	76-39369	Kit, Relay, 24 VDC	Kit, Relai, 24VDC	1
4.	202760-001	5000348791	76-38444	Telemetry Modem	Modem télémétrie	1
5.	201229-001P	5000364281	76-39295	Releasable Clamp, 1/2" (Pack of 10)	Clampe détachable, 1/2" (Pack de 10)	8
6.	200928-001P	5000364280	76-39294	Screw, 8-18 x 5/16, Pan Quad (Pack of 10)	Vis, 8-18 x 5/16, Pan Quad (Pack de 10)	11
7.	202864-001S	5000364260	76-39281	Overflow Detector Assembly	Assemblage, détecteur débordement	4
8.	201659-001	5000348748	76-38396	Power Supply	Bloc d'alimentation	1
9.	202871-001S	5000364263	76-39284	Power Input Assembly, U.S.	Assemblage, entré d'alimentation, U.S.	1
10.	202886-001S	5000364262	76-39283	Power Input Assembly, Canada	Assemblage, entré d'alimentation, Canada	1
11.	202820-001	5000348751	76-38399	Modem Antenna	Antenne modem	1
12.	202270-001S	5000364328	76-39328	Fan, 24VDC	Ventilateur, 24VDC	1
13.	202263-001	5000364329	76-39327	Proximity Sensor	Capteur de proximité	1
14.	202793-004	5000364296	76-39363	Strain Relief	Protecteur de cordon	1
15.	201410-001P	5000364288	76-39300	Board Spacer (Pack of 10)	Espaceur (Pack de 10)	6

**Wiring Bundles** PLEASE USE CURRENT KDP P/N ONLY WHEN ORDERING



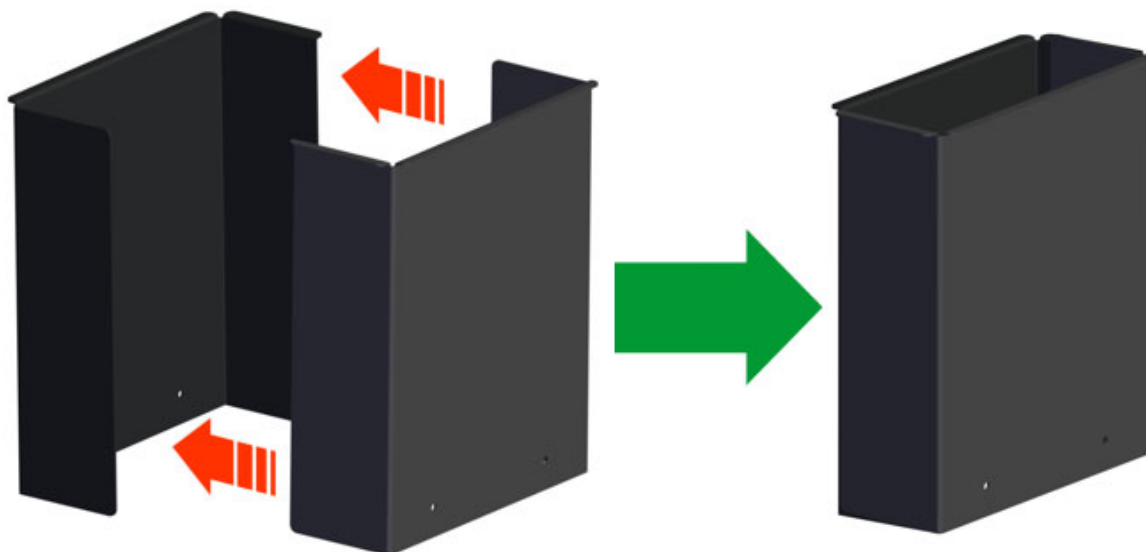
**Wiring Bundles** PLEASE USE CURRENT KDP P/N ONLY WHEN ORDERING

Item	OLD VKI P/N	NEW KDP P/N	KDP ERP ID	Description	
1.	203041-001S	5000364238	76-39262	Wiper Motor Wiring Bundle  <u>Bundle includes:</u> Right Switch Wiring Left Switch Wiring Fuse Harness	Paquet des harnais balai  <u>Contenu du paquet :</u> Fil interrupteur droit Fil interrupteur gauche Harnais, fusible
2.	203042-001S	5000364233	76-39257	Product Wiring Harness Bundle  <u>Bundle includes:</u> Powder System Harness Coffee System Harness Grinder Harness	Paquet des harnais produits  <u>Contenu du paquet :</u> Harnais, système de poudre Harnais, système de café Harnais, moulin
3.	203043-001S	5000364234	76-39258	High-Powder Wiring Bundle  <u>Bundle includes:</u> Door-Tank Harness Power Supply Harness DC Power Supply Harness AC Power Input Harness Ground Harness	Paquet des harnais à haute puissance  <u>Contenu du paquet :</u> Harnais, porte-réservoir d'eau Harnais, alimentation DC Harnais, alimentation AC Harnais entrée puissance Harnais mise à la terre
4.	203044-001S	5000364235	76-39259	Switch-Heater Wiring Bundle  <u>Bundle includes:</u> Fuse-Switch Harness Switch-Relay Harness Switch-Element Harness Relay-Element Harness	Paquet des harnais interrupteur-élément  <u>Contenu du paquet :</u> Harnais, fusible-interrupteur Harnais, Interrupteur-relai Harnais, Interrupteur-élément Harnais, relai-élément
5.	203045-001S	5000364236	76-39260	Miscellaneous Wiring Bundle  <u>Bundle includes:</u> Waste Detection Harness Lower Harness Inner Pan Ground Harness Overflow Extension Harness Waste Bin Detection Harness	Paquet des harnais divers  <u>Contenu du paquet :</u> Harnais, détection poubelle Harnais ventilateur Harnais mis à la terre, pan inter. Harnais extension, débordement Harnais, détection poubelle
6.	203046-001S	5000364237	76-39261	USB, Coaxial Wiring Bundle  <u>Bundle includes:</u> Coaxial Cable USB Cable USB Extension	Paquet des harnais USB, coaxial  <u>Contenu du paquet :</u> Câble coaxial Câble USB Extension USB
7.	203047-001S	5000364239	76-39263	Door, LED Wiring Harness Bundle  <u>Bundle includes:</u> Cup Detector Harness Cup LED Harness LED Strip Harness LED Cup Light Harness	Paquet des harnais porte, DEL  <u>Contenu du paquet :</u> Harnais détecteur de tasse Harnais DEL Harnais bande DEL Harnais éclairage tasse DEL
8.	203048-001S	5000364240	76-39264	Door, MDB Wiring Harness Bundle  <u>Bundle includes:</u> Door-MDB Harness MDB-Door harness	Paquet des harnais porte, MDB  <u>Contenu du paquet :</u> Harnais porte-DEL Harnais DEL-porte



Item	OLD VKI P/N	NEW KDP P/N	KDP ERP ID	Description
	203034-001S	5000364249	76-39272	Decal Pack

**Waste Chute Kit** PLEASE USE CURRENT KDP P/N ONLY WHEN ORDERING

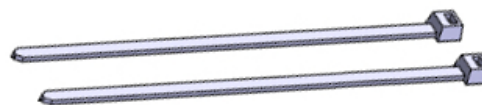
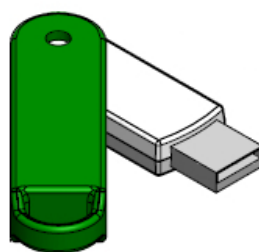


OLD VKI P/N	NEW KDP P/N	KDP ERP ID	Description
202922-001S	5000364228	76-39252	Waste Chute Kit

**Touchless Kit (Remote Brew)** PLEASE USE CURRENT KDP P/N ONLY WHEN ORDERING

**Hands-Free!**  
 For Touchless Operation  
 Open camera app  
 &  
 Scan QR code on screen  
 Opens the app or app store

**Sans contact!**  
 Pour une utilisation sans contact  
 Ouvrir l'application caméra  
 &  
 Scannez le code QR à l'écran  
 afin d'ouvrir l'application



OLD VKI P/N	NEW KDP P/N	KDP ERP ID	Description
203017-002S	5000364270	76-39378	Remote Brew Kit (Touchless)

**Recommended Spare Parts List** PLEASE USE CURRENT KDP P/N ONLY WHEN ORDERING **Pièces de remplacement recommandées**

OLD VKI P/N	NEW KDP P/N	KDP ERP ID	Description		QTY 1	QTY 2	QTY 3
					1-25 Machines	26-50 Machines	51+ Machines
200918-001	5000364279	76-39293	Ingredient Motor	Moteur à ingrédient	1	2	3
201313-001	5000364282	76-39296	Back Flow Prevention Check Valve	Valve anti-retour	--	1	1
201659-001	5000348748	76-38396	Power Supply	Bloc d'alimentation	1	1	2
201754-001P	5000348750	76-38398	O-Ring, Whipper Base (Pack of 20)	Joint d'étanchéité (Pack de 20)	1	1	1
202169-003S	5000348756	76-38404	Brewer Engine Assembly	Assemblage de l'infuseur	1	1	3
202201-001P	5000348760	76-38408	O-Ring, 0.614 (Pack of 20)	Joint torique, 0.614 (Pack de 20)	1	1	1
202208-001P	5000348734	76-38411	Level Probe (Pack of 10)	Sonde niveau d'eau (Pack de 10)	1	1	1
202222-001S	5000364334	76-39321	Whipper Assembly	Assemblage, fouetteur	1	3	6
202761-002	5000348792	76-38445	Inlet Valve (Single)	Valve d'entrée (Simple)	1	1	2
202253-002	5000364330	76-39325	Outlet Valve, 8mm	Valve de sortie, 8mm	4	8	12
202257-002	5000348740	76-38417	Blower	Ventilateur	2	4	6
202260-001	5000364250	76-39326	Filter Assembly	Assemblage, filtre	1	2	3
202263-001	5000364329	76-39327	Proximity Sensor	Capteur de proximité	--	1	2
202270-001S	5000364328	76-39328	Fan	Ventilateur	1	1	2
203004-001P	5000364327	76-39329	Thermistor (Temp. Probe) (Pack of 5)	Sonde de température (Pack de 5)	1	1	1
202290-001P	5000348764	76-38423	Impeller (Pack of 10)	Lame, fouetteur (Pack de 10)	1	1	1
202294-001P	5000348765	76-38424	Whipper Gasket (Pack of 20)	Joint, fouetteur (Pack de 20)	1	1	1
202338-001P	5000348767	76-38426	Diaphragm 8mm - Outlet Valve (Pack of 20)	Diaphragme 8mm - valve de sortie (Pack de 20)	1	1	1
202339-001P	5000348768	76-38427	Clip - Outlet Valve (Pack of 20)	Attache - valve de sortie (Pack de 20)	1	1	1
202340-001P	5000348769	76-38428	O-Ring - Outlet Valve (Pack of 20)	Joint torique - valve de sortie (Pack de 20)	1	1	1
202341-003	5000348770	76-38429	Brewer Yearly Maintenance Kit	Trousse d'entretien annuel (infuseur)		1 / machine	
202946-001S	5000364276	76-39373	Floor Tray & Alcove Assembly	Assemblage, Plateau et Niche inférieure	--	1	1
202870-001S	5000364255	76-39276	Grinder Assembly	Assemblage, Moulin	--	1	2
202620-002	5000348774	76-38433	Powder Dispenser Assembly	Assemblage, contenant de poudre	--	1	3
202621-001	5000348775	76-38434	Outlet Valve, 14mm	Valve de sortie, 14mm	2	4	6
203033-001S	5000364241	76-39265	Spout Assembly	Assemblage, Bec	1	2	3
202639-002	5000348777	76-38436	Element, 1700W, 120V	Élément, 1700W, 120V	1	2	3
202683-001	5000348782	76-38440	Cup Riser	Élévateur de tasse	--	1	2
202739-001	5000348789	76-38442	Cup Riser Pivot	Pivot Élévateur de tasse	--	1	2
202752-001S	5000364299	76-39360	HMI (Touch Screen)	HMI (Panneau de touche)	--	1	2
202760-001	5000348791	76-38444	Telemetry Modem	Modem télémétrie	--	--	1
202790-001	5000348797	76-38446	Door Lock Assembly	Assem. serrure porte	--	1	1
202800-002	5000364295	76-39364	Brewer Support, Base & Motor Assembly	Support, base et moteur de l'infuseur	--	1	1
202874-002S	5000364290	76-39369	Kit, Relay, 24 VCD	Kit, Relai, 24VDC	1	2	3
202826-001	5000348801	76-38451	Electronic Control Board	Plaquette de contrôle	1	2	3
202827-001	5000348802	76-38452	Main Power Switch	Interrupteur principale	--	1	2
M019420	5000364268	76-39379	Grease	Graisse	1	2	3
M019549	5000364266	76-39380	Key – 8625 (1)	Clé – 8625 (1)	2	4	6

## Product Warranty Information

**Important note:** The serial number of the machine must be reported at the time a warranty claim is submitted on a machine or any of the components contained therein. Any removal of or tampering with the serial number or date code of a component will void warranty.

### Limited One-Year Warranty

Keurig Green Mountain, Inc. warrants to the original purchaser that its coffee maker will be free of defects in materials or workmanship under normal use for one-year from the date of purchase. Keurig, a Keurig Authorized Distributor or Service Agent will, at their option, repair or replace a defective coffee maker or coffee maker parts under this warranty without charge upon its receipt of proof of the date of purchase. If a replacement coffee maker is necessary to service this warranty, the replacement coffee maker may be new or reconditioned. If a replacement coffee maker or parts are sent, a new limited one-year warranty will be applied to the replacement coffee maker or parts. This warranty only applies to coffee makers operated in the United States and Canada. This warranty gives the original purchaser specific legal rights, and you may also have other rights that vary from state to state and, in the case of Canada, from province to province. If you obtained this coffee maker through sale or rental from a Keurig Authorized Distributor, you may also want to refer to your distributor's warranty policies. Only the use of Keurig® accessories will guarantee the proper functioning and lifetime of Keurig® coffee maker. Any damage to or malfunction of your coffee maker resulting from the use of non Keurig® accessories may not be covered by this warranty or may result in a service fee if the damage or malfunction is determined to be caused by such use.

### What is not covered by the Limited Warranty?

THIS WARRANTY DOES NOT COVER CONSEQUENTIAL OR INCIDENTAL DAMAGES SUCH AS PROPERTY DAMAGE AND DOES NOT COVER INCIDENTAL COSTS AND EXPENSES RESULTING FROM ANY BREACH OF THIS WARRANTY, EVEN IF FORESEEABLE. Some states or provinces do not allow the exclusion or limitations of incidental or consequential damages, so the above limitation or exclusion may not apply to you depending on the state or province of purchase. Nor does this warranty cover damages caused by use of non Keurig® accessories, services performed by anyone other than Keurig or its authorized service providers, use of parts other than genuine Keurig parts, or external causes such as abuse, misuse, inappropriate power supply, or acts of God.

### Other Limitations

THIS WARRANTY IS EXCLUSIVE AND IS IN LIEU OF ANY OTHER EXPRESS WARRANTY, WHETHER WRITTEN OR ORAL. IN ADDITION, KEURIG HEREBY SPECIFICALLY DISCLAIMS ALL OTHER WARRANTIES WITH RESPECT TO YOUR ECCELLENZA MOMENTUM™ COFFEE MAKER, INCLUDING ANY IMPLIED WARRANTY OF MERCHANTABILITY OR FITNESS FOR ANY PARTICULAR PURPOSE. Some states or provinces do not allow disclaimers of such implied warranties or limitations on how long an implied warranty lasts, so the above limitation may not apply to you depending on the state or the province of purchase.

### How do you obtain warranty service?

Keurig® coffee makers are high-quality appliances and, with proper care, are intended to provide years of satisfying performance. However, should the need arise for warranty servicing; simply call your Keurig Authorized Distributor (KAD) who originally sold you the coffee maker or your Keurig Authorized Service Provider (KASP) for full support. To be re-connected with your KAD or KASP, please call Keurig at 1.888.287.2739 ex.5. If in Canada, please call: 1.888.854.0207.